


STYLE: PRIVACY FENCE
ACTUAL PANEL DIMENSIONS: 72" WIDE BY 46" HIGH
FASTENERS: STAINLESS STEEL
SCALE: NTS

ALUMINUM: 6063-T6 HAS A HIGH RESISTANCE TO FRACTURE AND FATIGUE AND IS VERY STRONG
POWDER COATING: QUALICOAT LICENSED APPLICATOR



HIGH QUALITY PRE-ASSEMBLED PANEL FOR RESIDENTIAL, COMMERCIAL AND INDUSTRIAL USE
RATED FOR HURRICANE ZONES (HVHZ) WIND RATINGS AND RESOURCES: <a href="https://sleekfence.com/learning-hub/">https://sleekfence.com/learning-hub/</a>
FIRE RATING: ASTM E84 Class A, NON-COMBUSTIBLE



[www.sleekfence.com](http://www.sleekfence.com)

1 855-875-0855

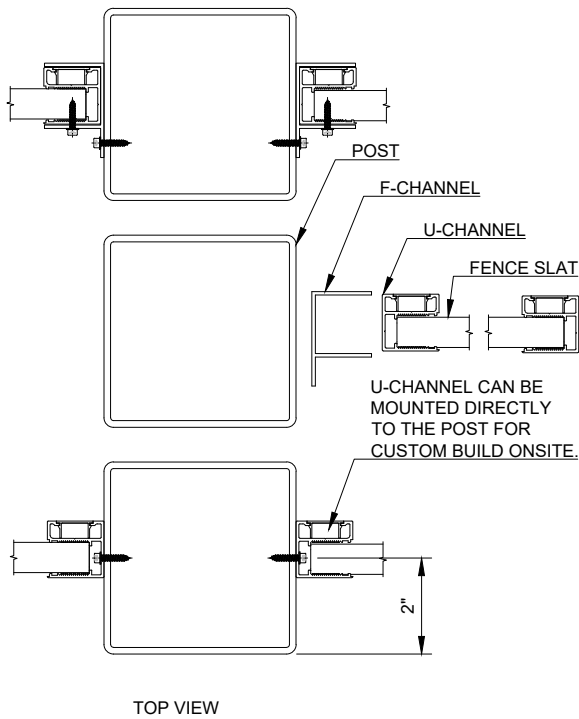
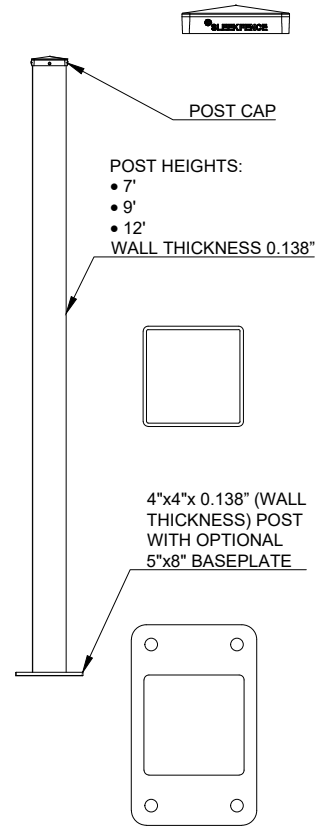
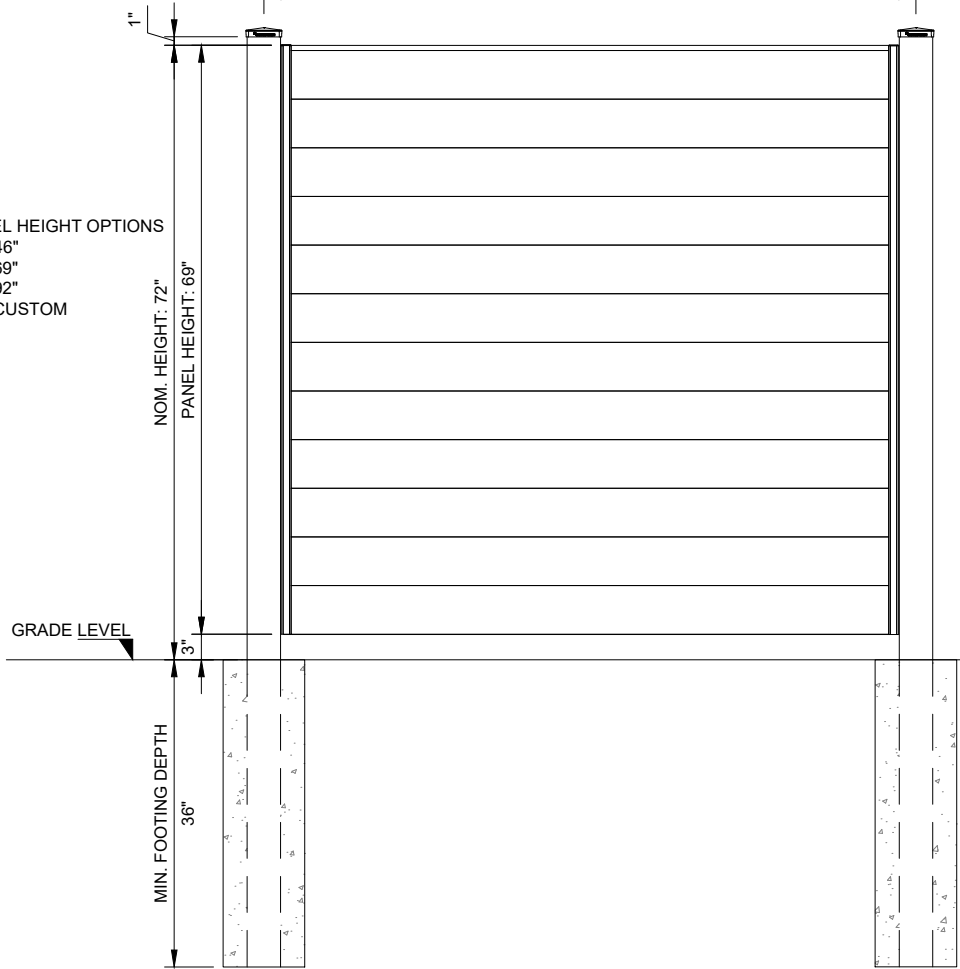
support@sleekfence.com

SLEEKFENCE™ ALUMINUM FENCE SYSTEM

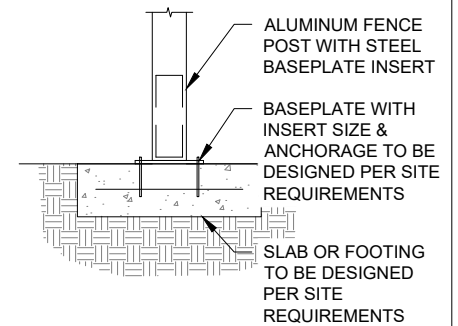
76<sup>1</sup>/<sub>2</sub>"

PANEL HEIGHT OPTIONS

- 46"
- 69"
- 92"
- CUSTOM



OPTIONAL CONCRETE MOUNT POST



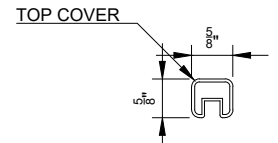
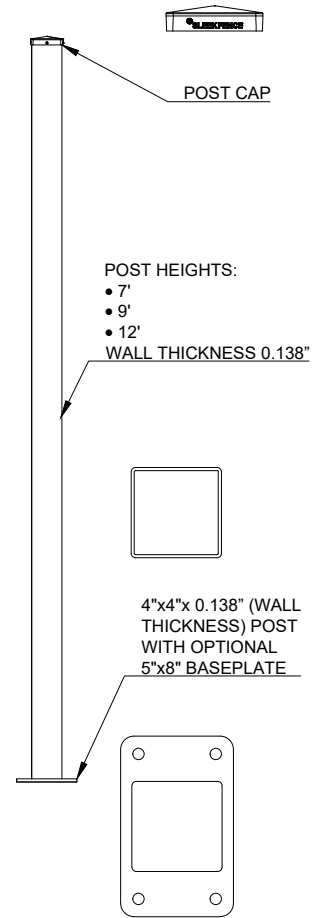
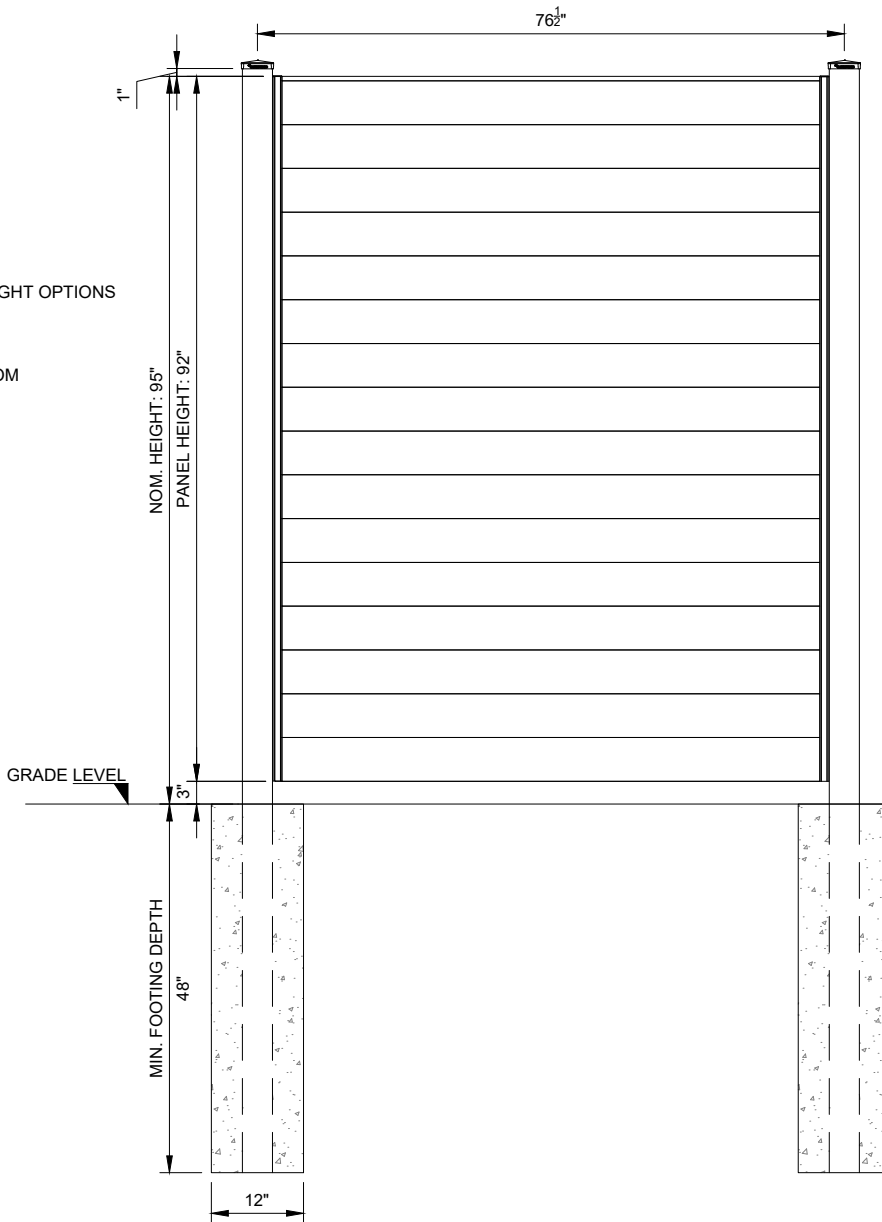
ADJUSTABLE MOUNTING CHANNEL FOR PANEL ATTACHMENT AT ANY ANGLE



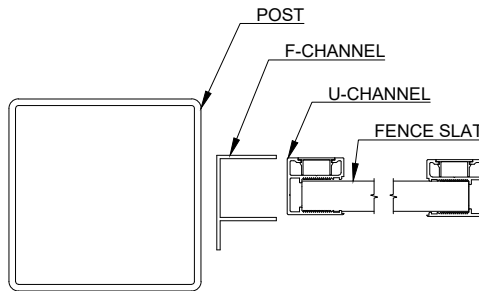
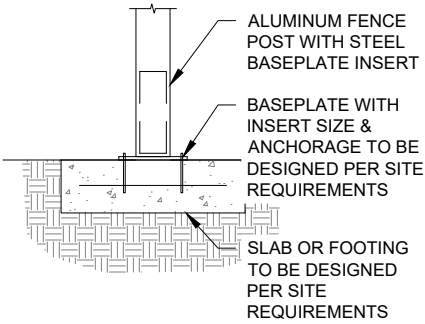
STYLE: PRIVACY FENCE	ALUMINUM: 6063-T6 HAS A HIGH RESISTANCE TO FRACTURE AND FATIGUE AND IS VERY STRONG	HIGH QUALITY PRE-ASSEMBLED PANEL FOR RESIDENTIAL, COMMERCIAL AND INDUSTRIAL USE	<p><a href="http://www.sleekfence.com">www.sleekfence.com</a> 1 855-875-0855 support@sleekfence.com</p>
ACTUAL PANEL DIMENSIONS: 72" WIDE BY 69" HIGH	POWDER COATING: QUALICOAT LICENSED APPLICATOR	RATED FOR HURRICANE ZONES (HVHZ) WIND RATINGS AND RESOURCES: <a href="https://sleekfence.com/learning-hub/">https://sleekfence.com/learning-hub/</a>	
FASTENERS: STAINLESS STEEL		FIRE RATING: ASTM E84 Class A, NON-COMBUSTIBLE	
SCALE: NTS			

SLEEKFENCE™ ALUMINUM FENCE SYSTEM

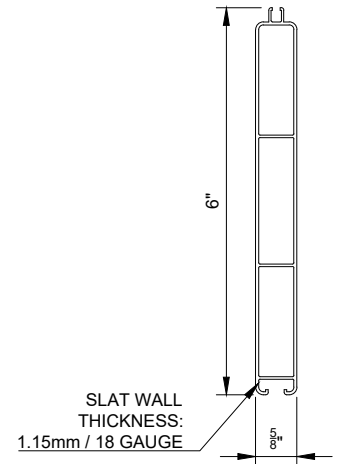
- PANEL HEIGHT OPTIONS
- 46"
  - 69"
  - 92"
  - CUSTOM





OPTIONAL CONCRETE MOUNT POST



TOP VIEW



HORIZONTAL SLAT VIEW

STYLE: PRIVACY FENCE	ALUMINUM: 6063-T6 HAS A HIGH RESISTANCE TO FRACTURE AND FATIGUE AND IS VERY STRONG	HIGH QUALITY PRE-ASSEMBLED PANEL FOR RESIDENTIAL, COMMERCIAL AND INDUSTRIAL USE	 <a href="http://www.sleekfence.com">www.sleekfence.com</a> 1 855-875-0855 support@sleekfence.com
ACTUAL PANEL DIMENSIONS: 72" WIDE BY 46" HIGH (STACKED 2x)	POWDER COATING: QUALICOAT LICENSED APPLICATOR	RATED FOR HURRICANE ZONES (HVHZ) WIND RATINGS AND RESOURCES: <a href="https://sleekfence.com/learning-hub/">https://sleekfence.com/learning-hub/</a>	
FASTENERS: STAINLESS STEEL		FIRE RATING: ASTM E84 Class A, NON-COMBUSTIBLE	
SCALE: NTS			