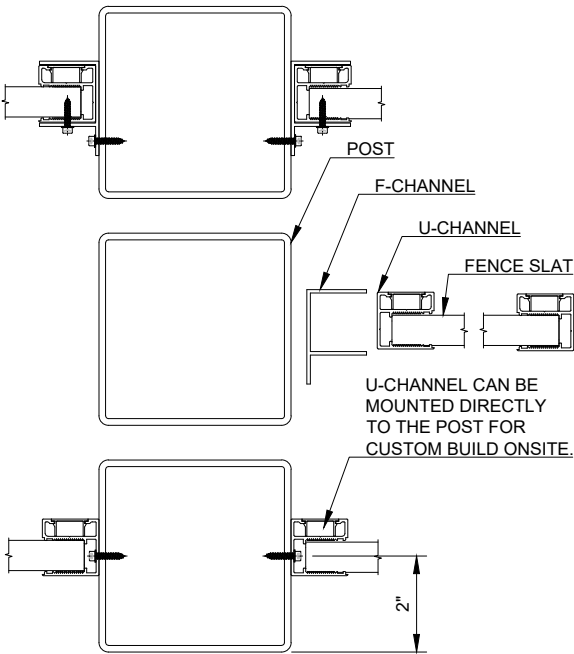
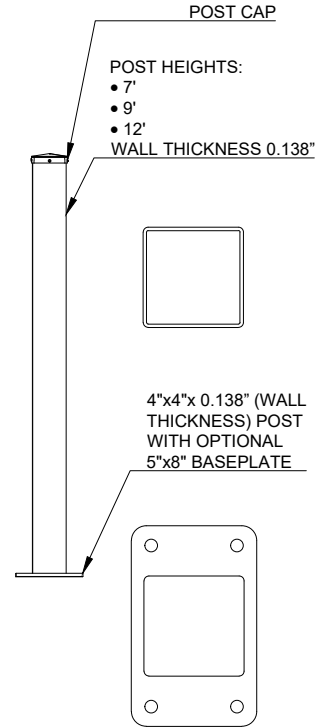
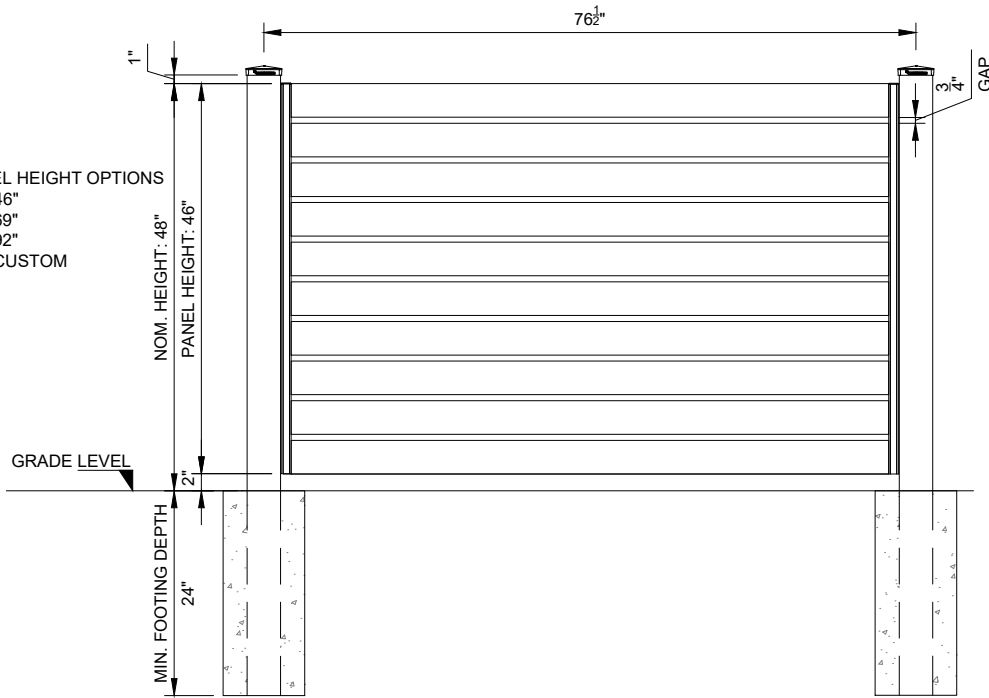




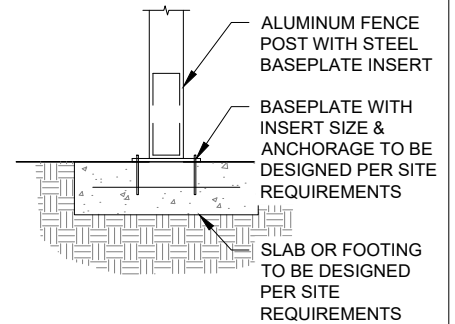
- PANEL HEIGHT OPTIONS**
- 46"
 - 69"
 - 92"
 - CUSTOM



TOP VIEW

HORIZONTAL SLAT VIEW

OPTIONAL CONCRETE MOUNT POST



ADJUSTABLE MOUNTING CHANNEL FOR PANEL ATTACHMENT AT ANY ANGLE



STYLE: SCREEN FENCE
ACTUAL PANEL DIMENSIONS: 72" WIDE BY 46" HIGH
FASTENERS: STAINLESS STEEL
SCALE: NTS

ALUMINUM: 6063-T6 HAS A HIGH RESISTANCE TO FRACTURE AND FATIGUE AND IS VERY STRONG
POWDER COATING: QUALICOAT LICENSED APPLICATOR

HIGH QUALITY PRE-ASSEMBLED PANEL FOR RESIDENTIAL, COMMERCIAL AND INDUSTRIAL USE
RATED FOR HURRICANE ZONES (HVHZ) WIND RATINGS AND RESOURCES: https://sleekfence.com/learning-hub/
FIRE RATING: ASTM E84 Class A, NON-COMBUSTIBLE



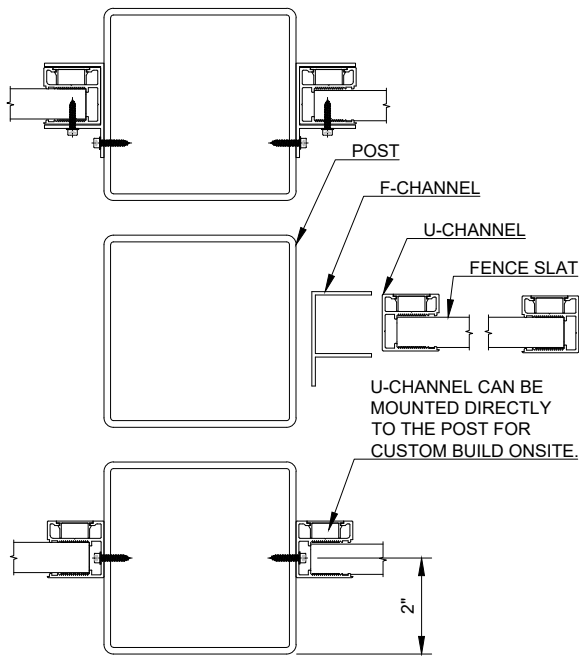
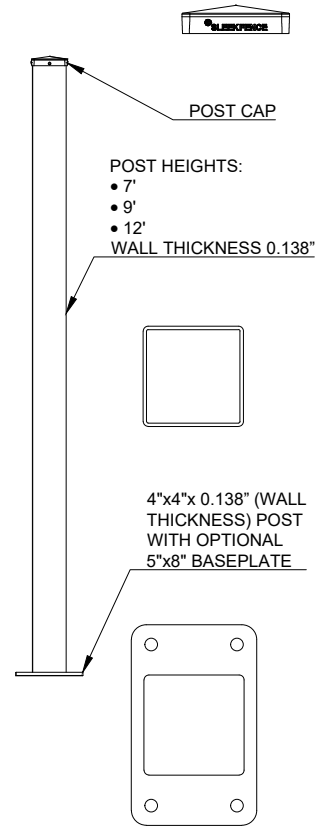
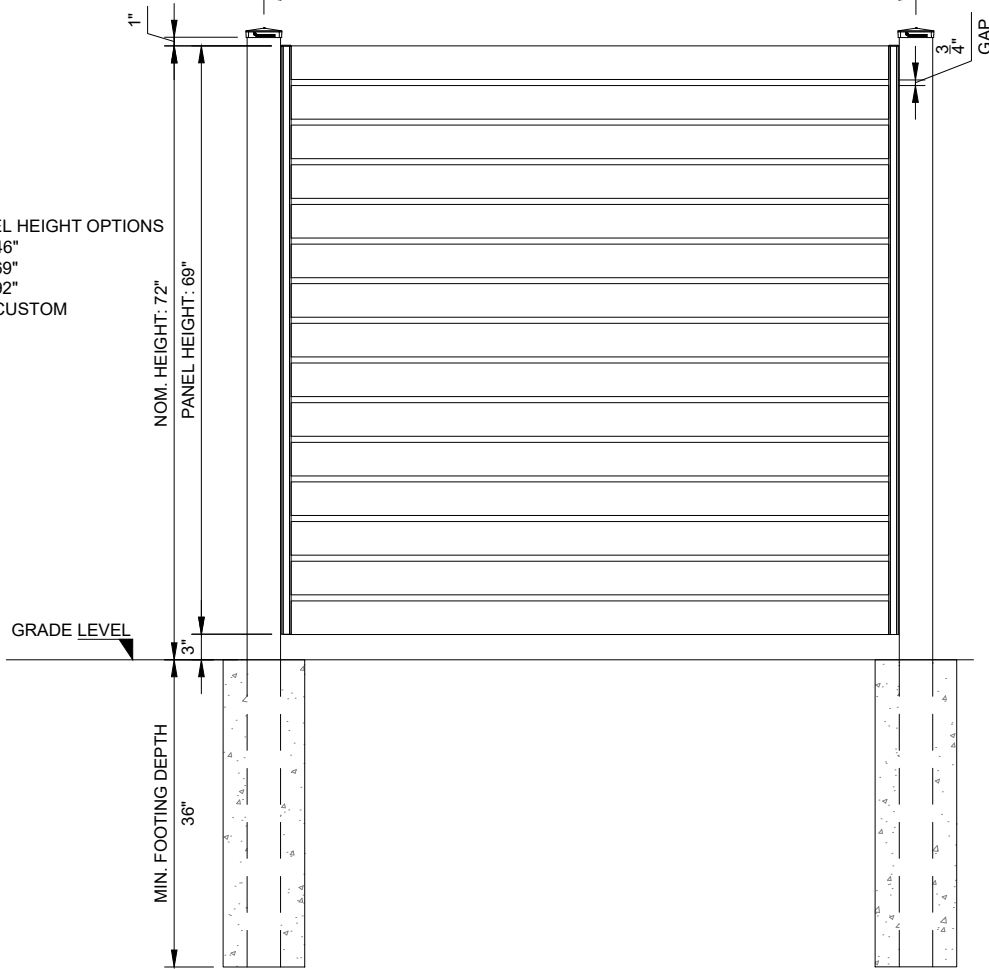
www.sleekfence.com
1 855-875-0855
support@sleekfence.com

SLEEKFENCE™ ALUMINUM FENCE SYSTEM

762¹

PANEL HEIGHT OPTIONS

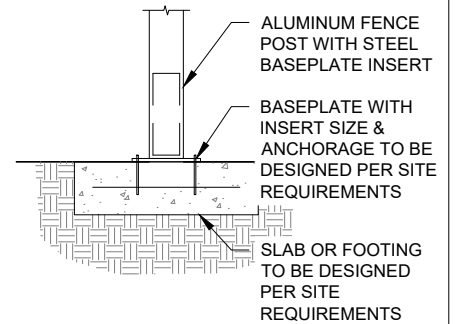
- 46"
- 69"
- 92"
- CUSTOM



TOP VIEW

HORIZONTAL SLAT VIEW

OPTIONAL CONCRETE MOUNT POST



ADJUSTABLE MOUNTING CHANNEL FOR PANEL ATTACHMENT AT ANY ANGLE



STYLE: SCREEN FENCE
ACTUAL PANEL DIMENSIONS: 72" WIDE BY 69" HIGH
FASTENERS: STAINLESS STEEL
SCALE: NTS

ALUMINUM: 6063-T6 HAS A HIGH RESISTANCE TO FRACTURE AND FATIGUE AND IS VERY STRONG
POWDER COATING: QUALICOAT LICENSED APPLICATOR



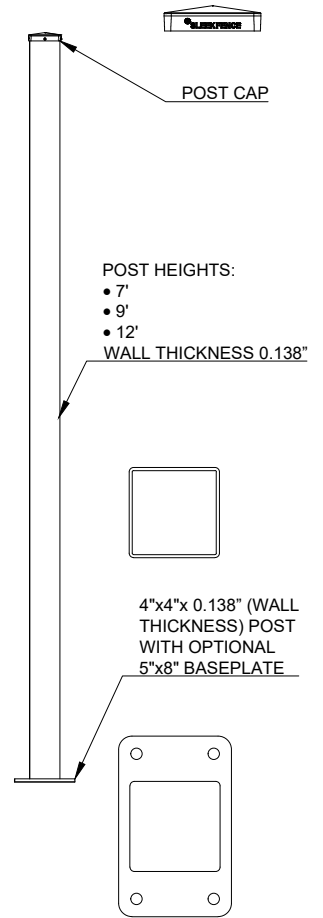
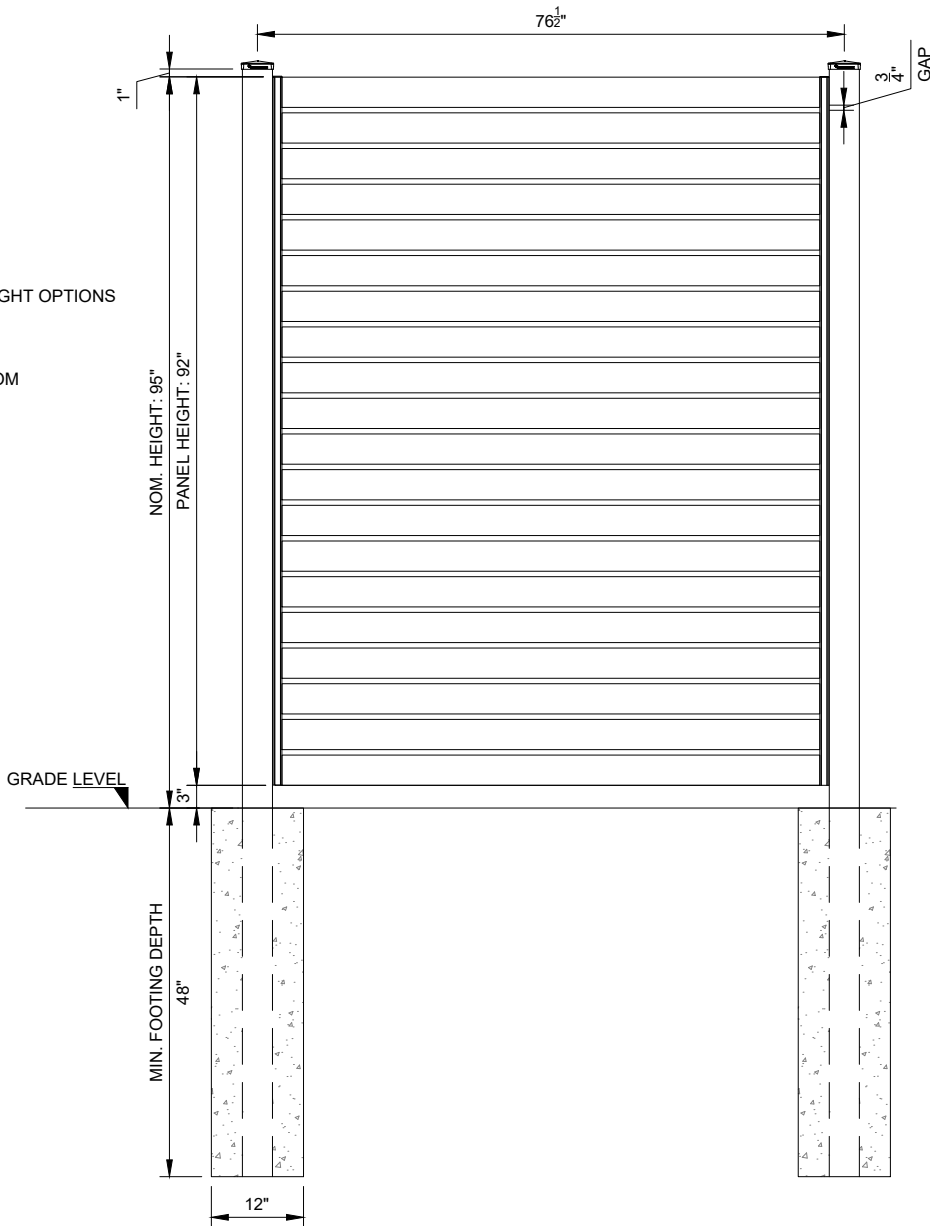
HIGH QUALITY PRE-ASSEMBLED PANEL FOR RESIDENTIAL, COMMERCIAL AND INDUSTRIAL USE
RATED FOR HURRICANE ZONES (HVHZ) WIND RATINGS AND RESOURCES: https://sleekfence.com/learning-hub/
FIRE RATING: ASTM E84 Class A, NON-COMBUSTIBLE



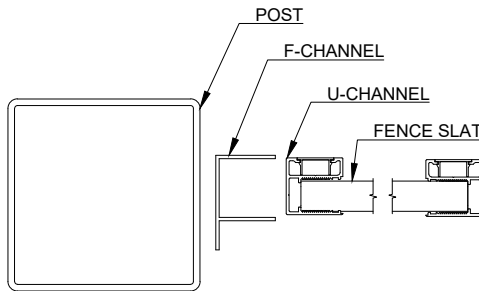
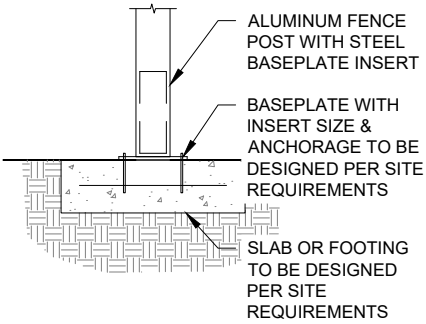
www.sleekfence.com
1 855-875-0855
support@sleekfence.com

SLEEKFENCE™ ALUMINUM FENCE SYSTEM

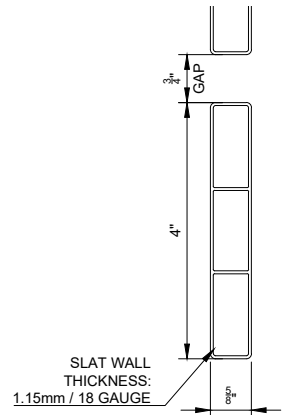
- PANEL HEIGHT OPTIONS
- 46"
 - 69"
 - 92"
 - CUSTOM





OPTIONAL CONCRETE MOUNT POST



TOP VIEW



HORIZONTAL SLAT VIEW

STYLE: SCREEN FENCE	ALUMINUM: 6063-T6 HAS A HIGH RESISTANCE TO FRACTURE AND FATIGUE AND IS VERY STRONG	HIGH QUALITY PRE-ASSEMBLED PANEL FOR RESIDENTIAL, COMMERCIAL AND INDUSTRIAL USE	 <p>SLEEKFENCE™</p> <p>www.sleekfence.com</p> <p>1 855-875-0855</p> <p>support@sleekfence.com</p>
ACTUAL PANEL DIMENSIONS: 72" WIDE BY 46" HIGH (STACKED 2x)	POWDER COATING: QUALICOAT LICENSED APPLICATOR	RATED FOR HURRICANE ZONES (HVHZ) WIND RATINGS AND RESOURCES: https://sleekfence.com/learning-hub/	
FASTENERS: STAINLESS STEEL		FIRE RATING: ASTM E84 Class A, NON-COMBUSTIBLE	
SCALE: NTS			